

IMPACDOR®

FS-500

Food Service • Restaurants • Retail Stores • Light Industrial

The Aleco ImpacDor® FS-500 is versatile and attractive 3/4" (19mm) door with wood core and durable laminates to match a wide range of restaurant and retail decor.

The Aleco ImpacDor® FS-500 is the perfect solution for demanding food service, restaurant, retail and light industrial applications seeking to provide a visual barrier or a damper to air currents in busy doorways.

Colorful 1/8" (3mm) ABS facings are bonded to a 1/2" (13mm) solid wood core to resist palletized loads, yet remain light enough to swing freely in high volume foot traffic.



Shown with optional jamb guards

The FS-500 opens quick and easily with EZ hinge hardware

With the EZ hinge system, the FS-500 operates smoothly and quietly, and includes 8-3/4" high jamb guards. Easy-to-open doors will translate to longer lasting doors and safer personnel and product passage. FS-500 doors open 125 degrees in each direction to accommodate the natural flow of traffic.



EZ Hinge

5-YEAR WARRANTY

(Limited warranty. Contact your Aleco representative for details.)

Custom made to exact size

Most Aleco doors are made to exact size specifications to fit existing door openings. For consistent performance, sizes are customized to 1/8" on every FS-500 door to fit perfectly.



FS-500

FS-500 Features:

- Rigid solid wood core with reinforced metal spine
- EZ hinge installs and operates effortlessly
- Attractive design and a wide selection of facings to suit restaurant and retail settings
- Zinc plated mounting hardware (Stainless Steel upgrade available)
- 11-1/2" x 15-1/2" dual pane windows standard

Options:

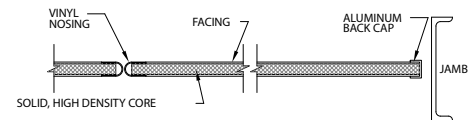
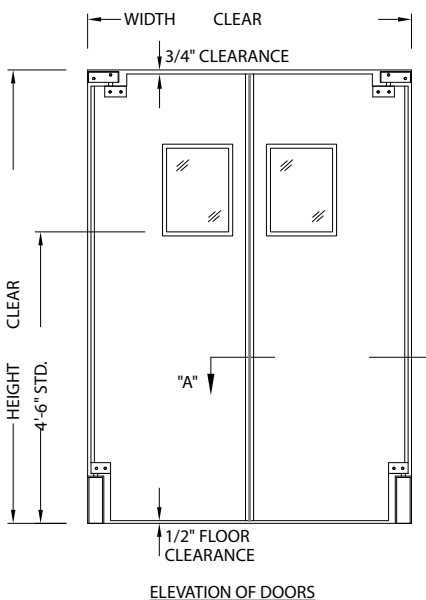
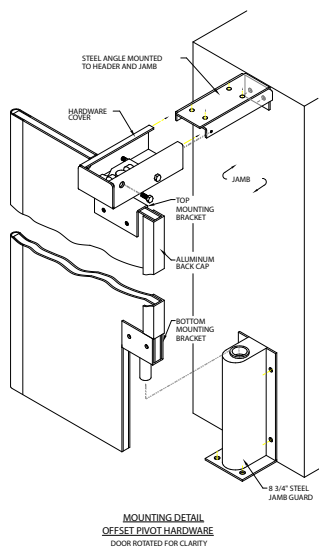
- Choice of decorative colors: *Cloud Gray, Charcoal Gray, Black, Cadet Blue, Cocoa, Chocolate, Beige, Red, White, Royal Blue and Green*
- ABS, vinyl & stainless steel impact wear panels any height up to 48"
- 8-3/4" high stainless steel jamb guards
- Facings such as anodized aluminum, stainless steel and high pressure laminates (Formica®, Wilson Art®, or Nevamar®)



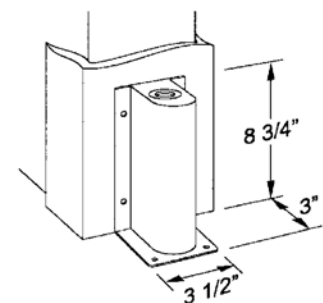
Frame not included but available as an option.

FS-500 Door Specifications

Mounting Hardware



SECTION "AA"



Standard Jamb Guard:
8 3/4" Zinc Plated Jamb Guard for EZ Hinge Hardware