

# MaxBullet® Truck Mount System Installation Instructions



- PARTS INCLUDED:**
- (1) 8 ft. MaxBullet® Mounting Bar
  - (2) L-brackets
  - (4) 1/4" x 1 1/2" Self-Tapping Screws
  - (4) 1/4" x 3/4" Bolts
  - (4) Locknuts
  - Scratch-Guard® Material & Hi-Viz® Safety Rings\*

- TOOLS NEEDED:**
- Pen or Pencil
  - Drill with 1/4" Bit
  - Adjustable Wrenches
  - Saw (as needed)
  - Ladder
  - Tape Measure
  - Utility Knife

\* Number of strips and safety rings dependent upon strip size and overlap

## INSTALLATION

**Step 1** For trailers with **roll-up doors**, locate the stud closest to the door opening in the rear of the trailer.

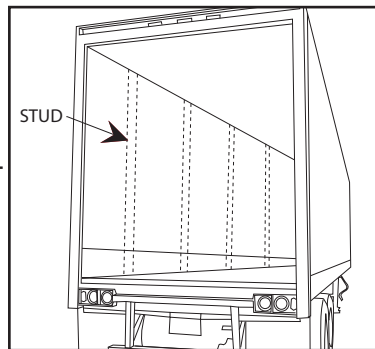


Figure A

**NOTE:** For trailers with **swing doors**, mount bar as close to top of trailer as possible. **Be sure to leave room for mounting bar and bolts, approximately 1" from top.**

**Step 5** Mount bar to L-brackets using the provided bolts and locknuts.

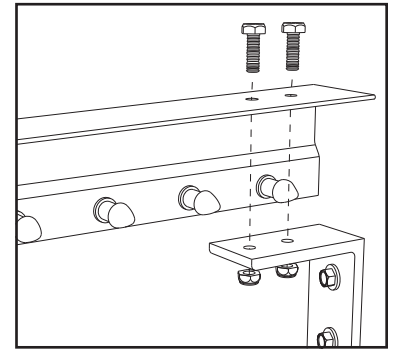


Figure D

**Step 2** Using the self-tapping screws provided, install L-bracket on stud as close to roller track as possible without impeding movement of door on track. Repeat for other side.

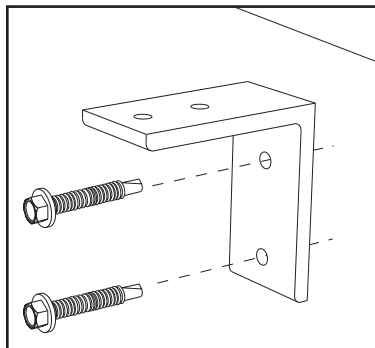


Figure B

**NOTE:** Remember to leave room for mounting bar.

**Step 6** Install PVC strips using preferred amount of overlap. Refer to diagram on reverse side of this page for details on strip placement.

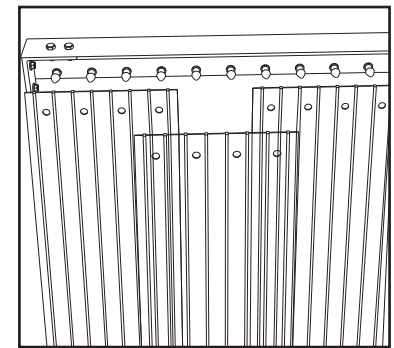


Figure E

**Step 3** Measure width of trailer and, if necessary, cut mounting bar to length using saw.

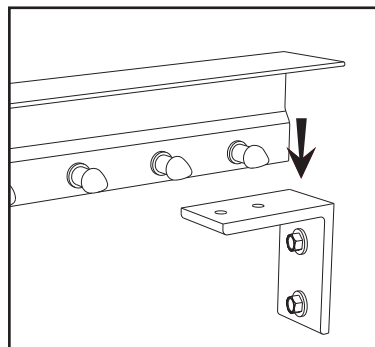


Figure C

**Step 4** Place mounting bar on L-brackets and using L-bracket as a template, mark holes and drill with a 1/4" drill bit.

**Step 7** Place Hi-Viz® safety rings on bullets where strips overlap (see Figure F).

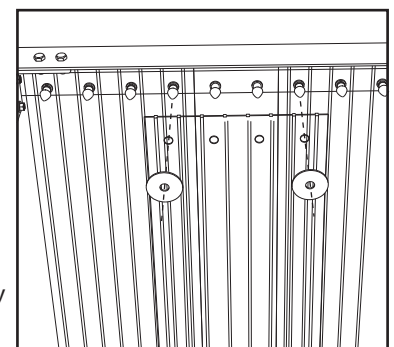


Figure F

**Step 8** The strips should be trimmed to leave 1/4" of clearance from the floor surface. Use a common utility knife to score and then tear the strips by hand.

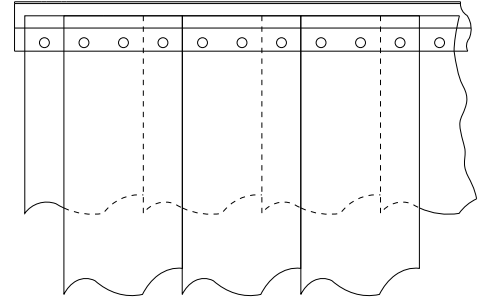
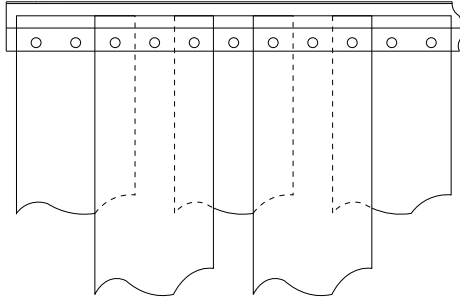
# STRIP PLACEMENT GUIDE

---

PARTIAL OVERLAP

FULL OVERLAP

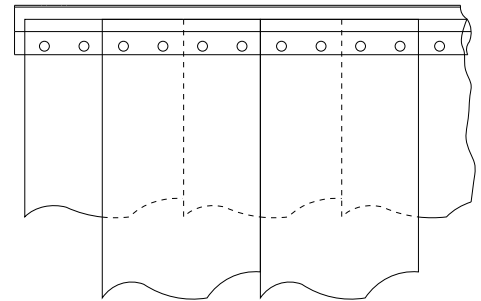
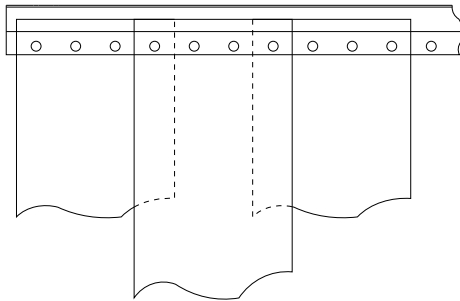
6" WIDE MATERIAL



PARTIAL OVERLAP 66%

FULL OVERLAP 100%

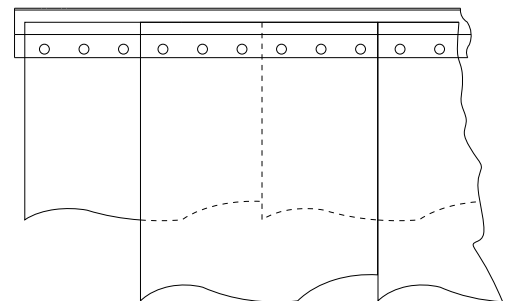
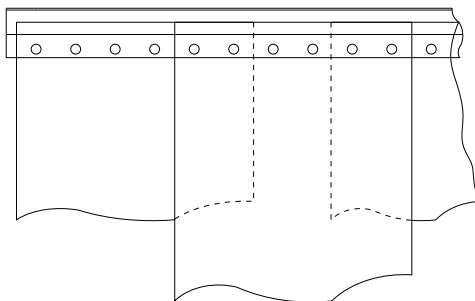
8" WIDE MATERIAL



PARTIAL OVERLAP 50%

FULL OVERLAP 100%

12" WIDE MATERIAL



PARTIAL OVERLAP 66% (4")  
PARTIAL OVERLAP 33% (2")

FULL OVERLAP 100%

*Specially formulated Vinyl Strip Cleaner available exclusively through your local Aleco distributor.*