

# Horizontal Slide Kit Installation Instructions

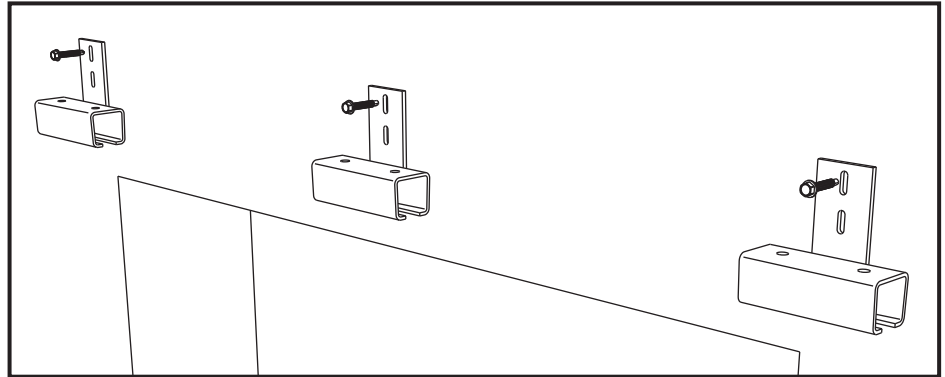


- PARTS INCLUDED:**
- Mounting Brackets
  - Trucks
  - Track
  - End-Stops

- TOOLS NEEDED:**
- Marker to Mark Holes
  - Drill
  - Screwdriver
  - Step Stool or Ladder
  - Tape Measure

## STEP 1

Mount brackets at desired height above opening using appropriate fasteners supplied by others. Make sure brackets are mounted level and equally spaced.



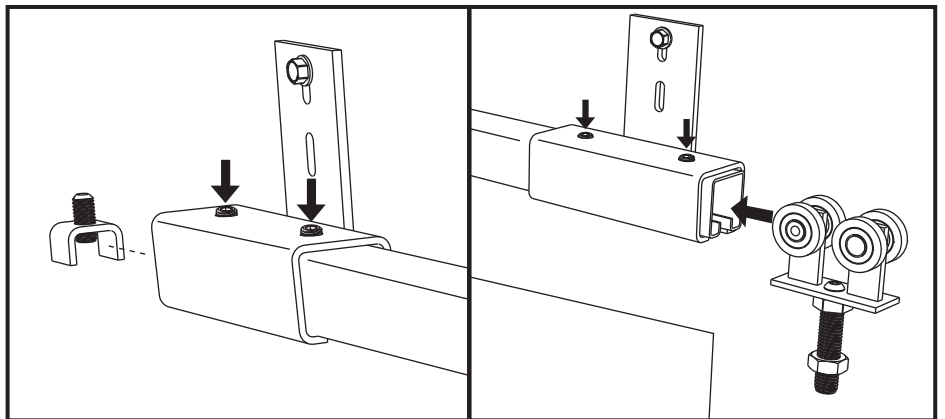
## STEP 2

Insert track into brackets.

NOTE: Depending on location, track may need to be inserted into brackets before brackets are mounted.

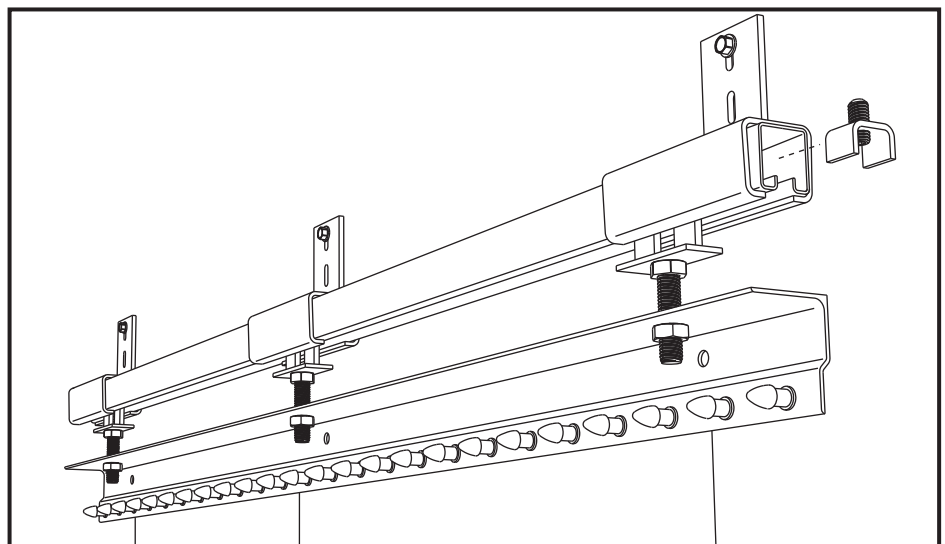
## STEP 3

Tighten set screws on brackets. Then, insert one end-stop in one end of the track and slide the appropriate amount of trucks into the other end of the track.



## STEP 4

Once the trucks have been installed, insert an end-stop in the end of the track. To mount the angled hardware, the existing holes on the top of the bracket will need be drilled out with a 1/2" drill bit. Then the angled hardware can be mounted to the threaded rods that are attached to each truck. Attach the angled hardware as shown in the illustration to the right.

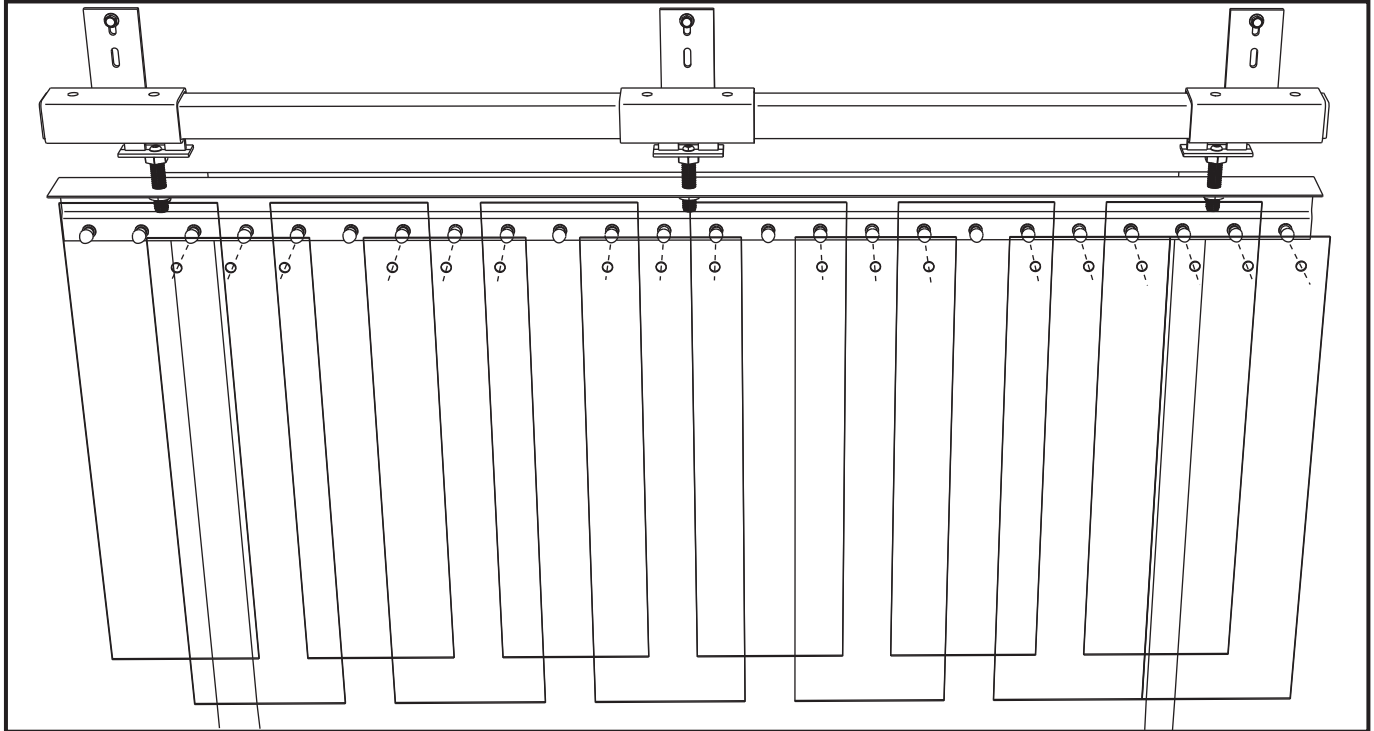


# Horizontal Slide Kit Installation Instructions

---

## STEP 5

Mount supplied PVC strips to angled hardware using desired overlap. Make sure when installing strips that the strips are mounted with concave sides facing each other as shown in the illustration below.



TOP VIEW OF STRIPS

## STEP 6

Once all strips are installed, they can be trimmed using a common utility knife to leave approximately 1/4" clearance from the floor.