

IMPACDOR® AL-125-1

Installation Instructions



- PARTS INCLUDED:**
- AL-125-1 Impact Door Panel(s)
 - Adjustable Spring-Loaded Hinges
 - Tension Rod & Tension Pins
 - 8-32 x 1/2" Flat Head Phillips Screws
 - #8 x 3/4" Flat Head Phillips Wood Screws

- TOOLS NEEDED:**
- Marker to Mark Holes
 - Drill
 - Screwdriver
 - Step Stool or Ladder
 - Tape Measure

INSTALLATION

STEP 1

Release spring tension from each hinge barrel by inserting provided tension rod into the tension adjustment hole. Rotate in direction of arrow as shown in **Illustrations A and B** at right and remove tension pin.

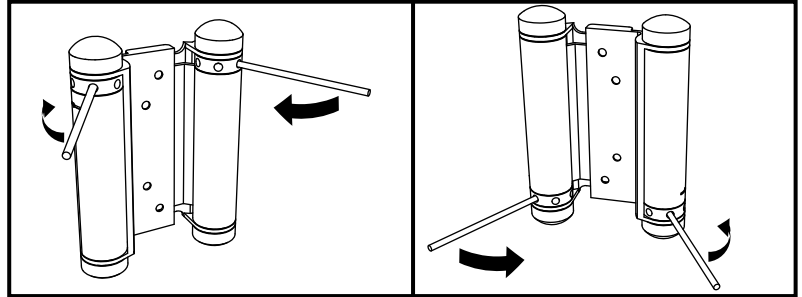
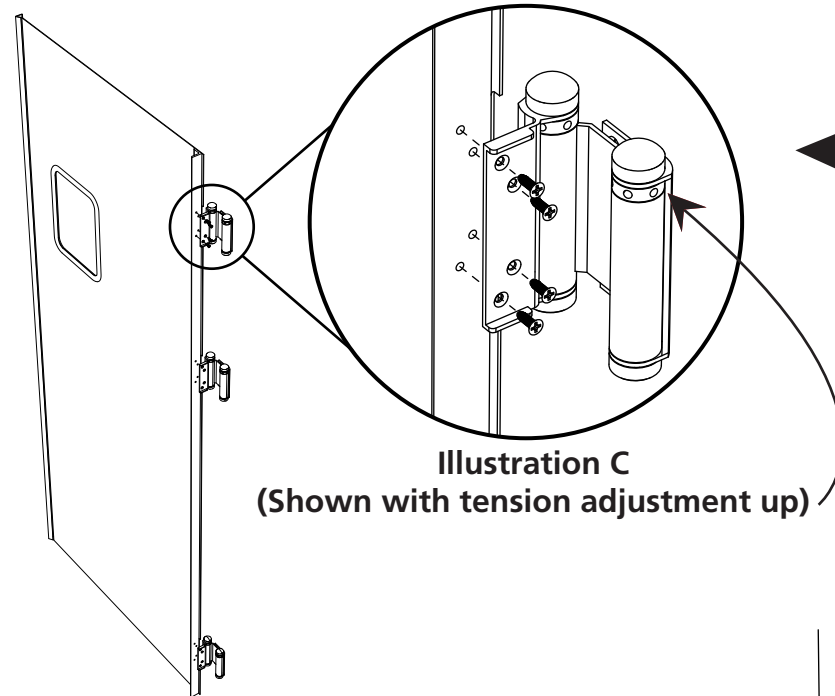


Illustration A

Illustration B



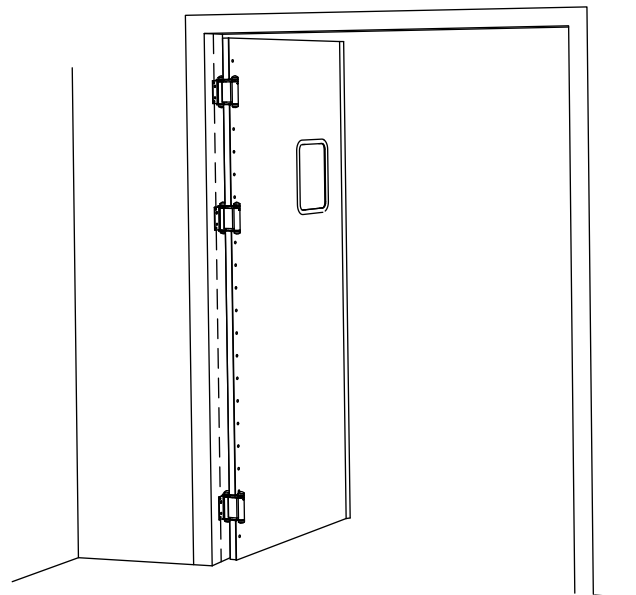
STEP 2

Attach adjustable spring-loaded hinges to door(s) as shown in **Illustration C**.

NOTE: For best alignment of double doors, install hinges with tension adjustment **UP** on one door panel and tension adjustment **DOWN** on the other door panel.

STEP 3

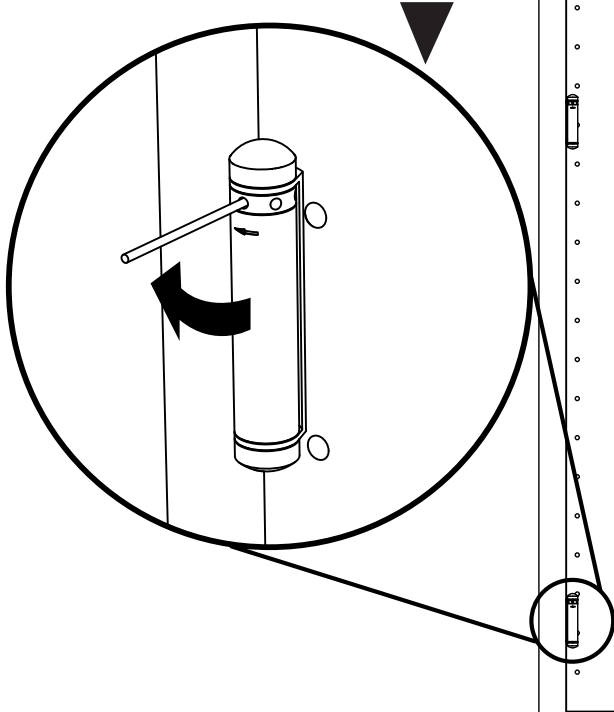
Align door panel with centerline of door jamb and mount using appropriate fasteners for the application. **Allow approximately 1/2" of clearance between the top of the door panel and the bottom of the door opening.**



HINGE ADJUSTMENT

STEP 1

Place door in closed position and wedge door up it is plumb. Insert tension rod into the tension adjustment hole as shown and rotate in direction of arrow. Once desired tension is set, insert tension pin. **Only one (1) hole of tension is recommended for bottom hinges.**



STEP 2

Increase tension on top hinge(s) if door panel sags or return action is too slow.

NOTE: DO NOT exceed five (5) holes of tension.