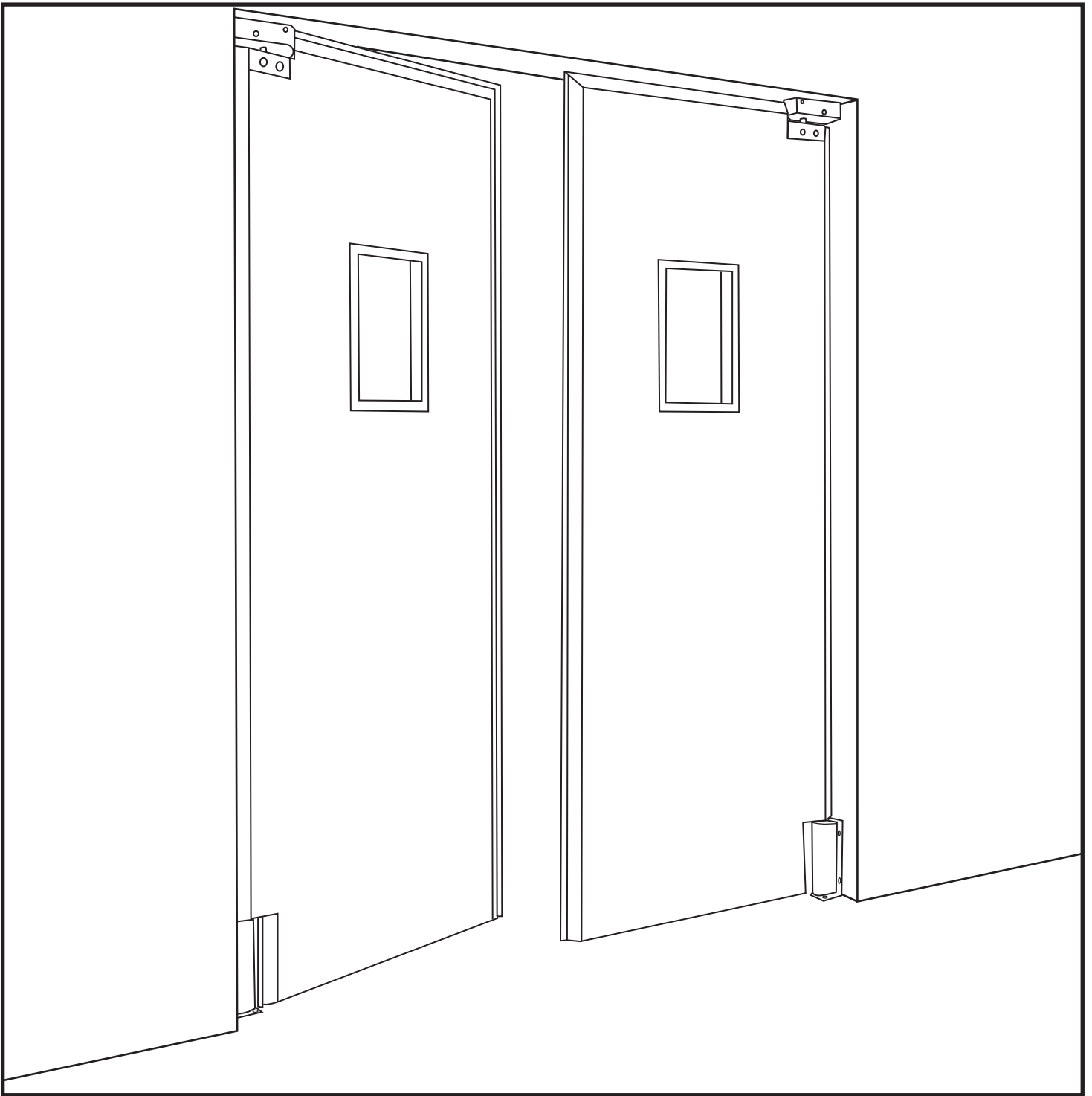


**ALECO**<sup>®</sup>  
E.S. ROBBINS

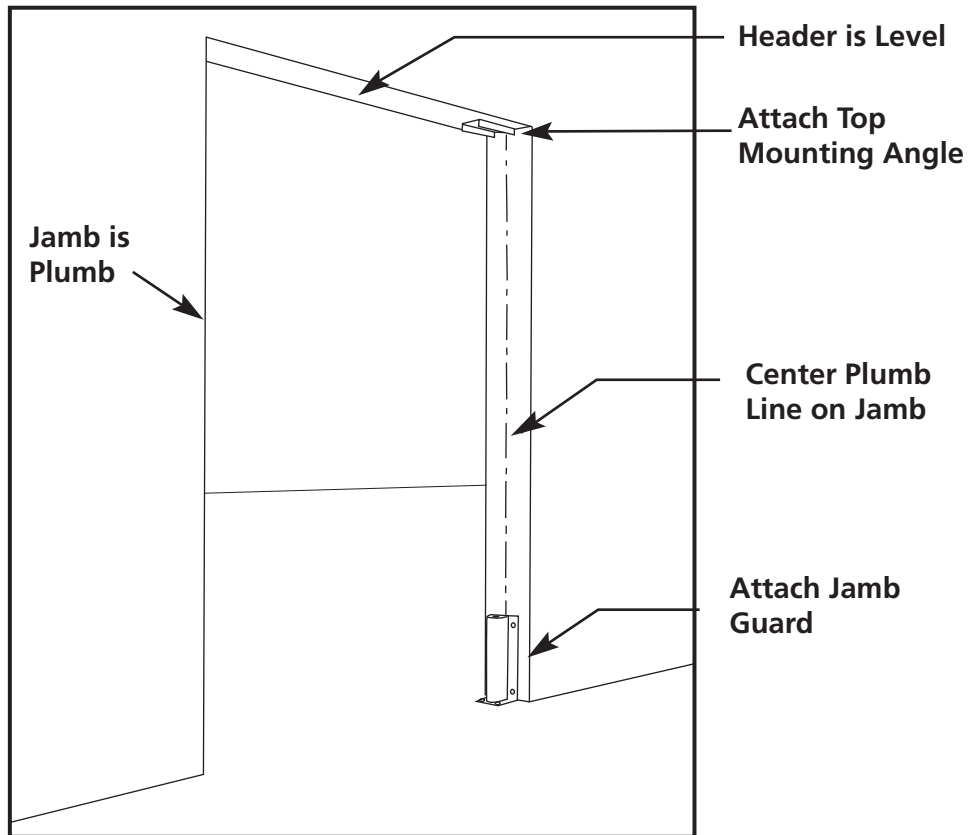
**IMPACDOR**<sup>®</sup>



**Installation Instructions for Doors**  
with EZ Hinge Hardware

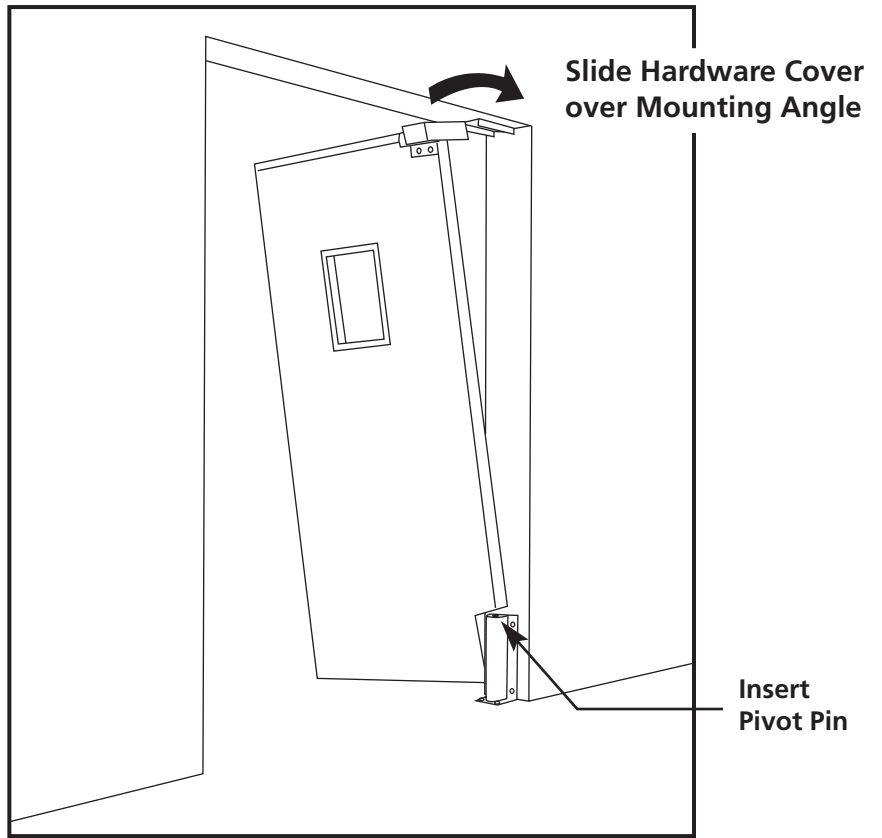
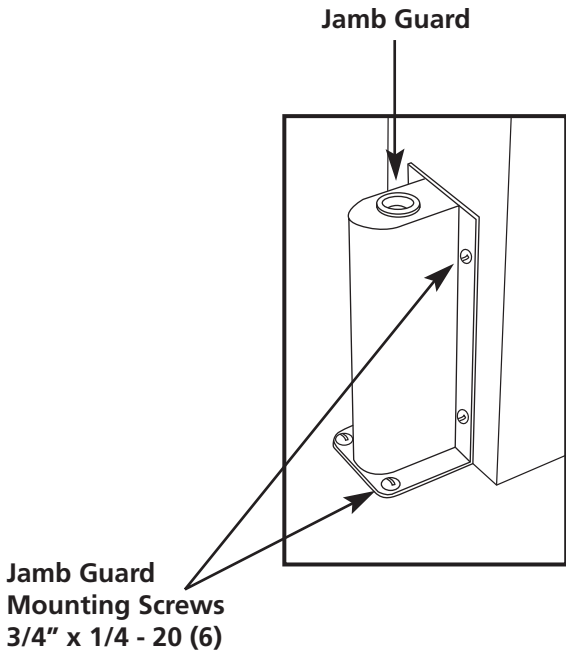
## Required Tools

- Center Punch
- Drill (1/4" or 3/8" electric)
- Drill bit: #7 (for steel channel)
- Extension Cord
- Hammer
- Level (3' minimum)
- Need Nose Pliers
- Pen or Pencil
- Plumb Bob
- Screwdriver, Slotted
- Tape Measure
- Tap 1/4" - 20 NC (for steel channel)



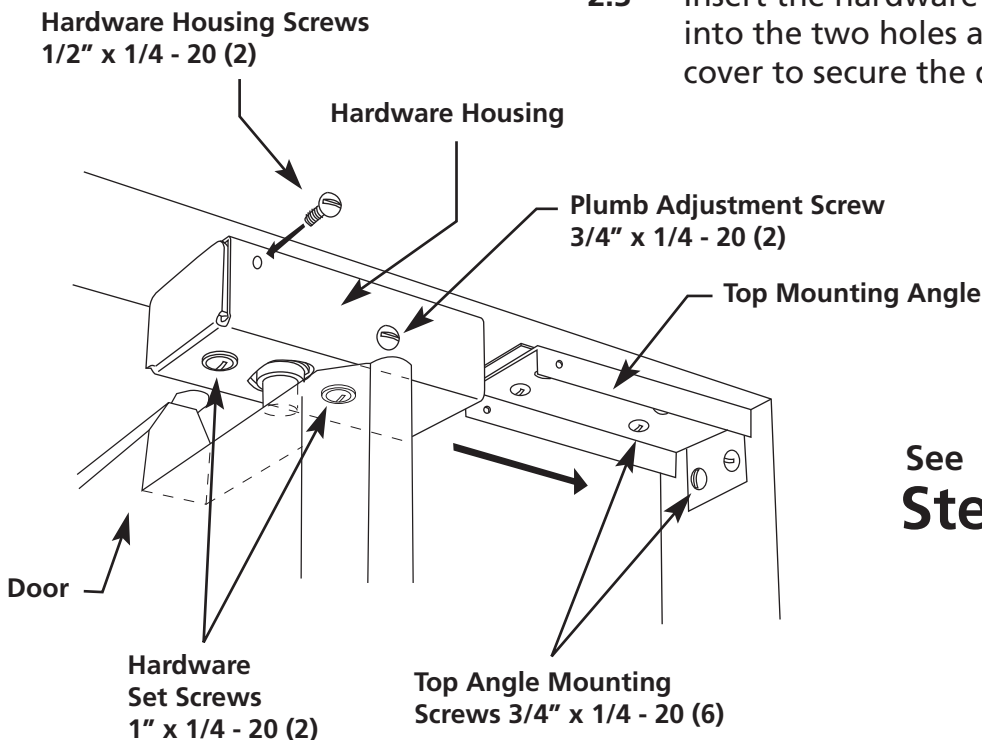
## Step 1 Doorway Preparation

- 1.1 Inspect. If carton or doors are damaged from shipping (bent shaft, etc.), contact factory.
- 1.2 Check jamb and header for plumb, level and square (measure diagonals).
- 1.3 Match size of door opening to size on packing slip.
- 1.4 Mark center plumb line on jamb.
- 1.5 Remove the top mounting angle from the door by removing the hardware housing screws from the top corner of each side.
- 1.6 Line up the centerline on the bottom of the mounting angle with jamb centerline. Use the angle as a template to mark the hole locations on the jamb and header and center punch the holes.
- 1.7 Use the jamb guard as a template for the bottom mounting holes, lining up the centerline of the jamb guard with the centerline of the jamb. Mark the hole locations on jamb and floor and center punch the holes.
- 1.8 Drill centers with #7 bit (for steel channel), tap 1/4 - 20 and fasten to jamb with 1/4 - 20 bolts.
- 1.9 If jambs are wood or hollow metal over wood, fasten using 1 1/2" wood lags. Hollow metal frames without wood rough blocks should have 1/4" steel reinforcements (b/o) at jamb and header mounting locations.



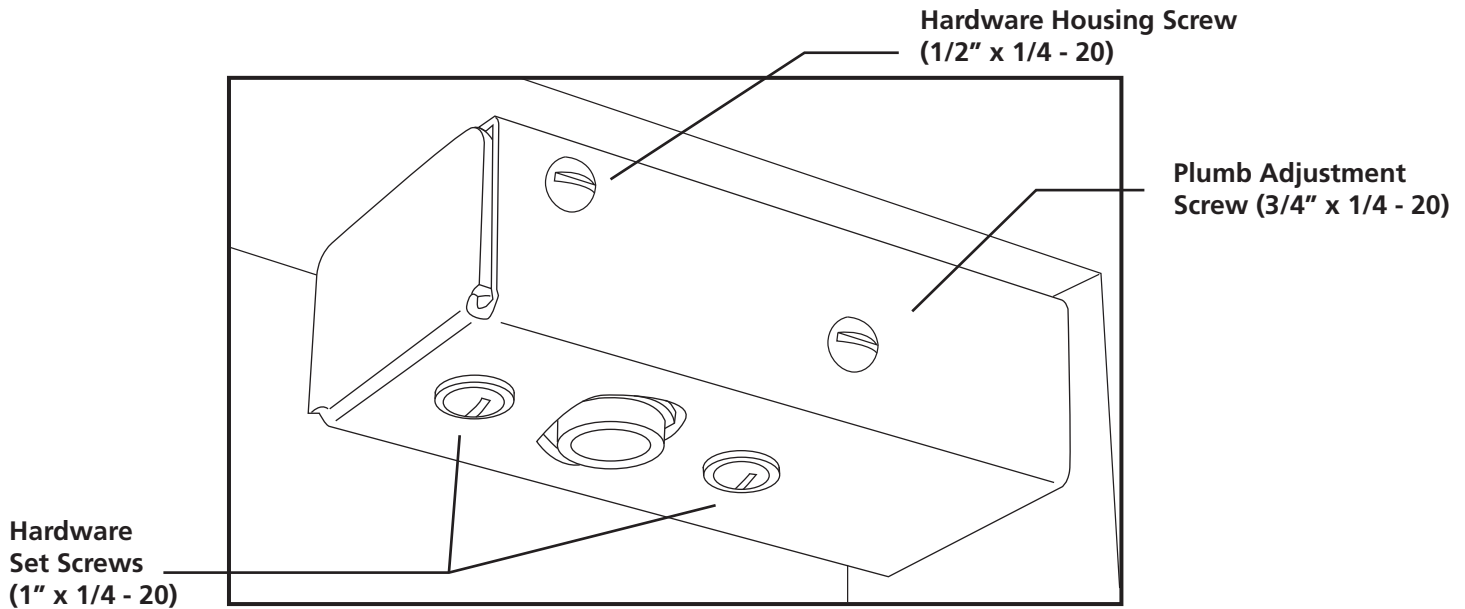
## Step 2 Door Installation

- 2.1 Position the door in the doorway and slide the bottom pivot pin into the hole in the jamb guard.
- 2.2 Slide the top hardware housing onto the top angle bracket, as shown.
- 2.3 Insert the hardware housing mounting screws into the two holes at the corners of the hardware cover to secure the door to the mounting angle.



See **Step 3** Adjustments  
On Next Page ►►►

# Step 3 Adjustments



Note: Door not shown for clarity.

- 3.1 Loosen the two hardware set screws on the bottom of the hardware housing.
- 3.2 Using the plumb adjustment screws on the sides of the hardware housing, alternately loosen one side and tighten the other side to bring the doors into plumb. Leading edge seals should contact each other.
- 3.3 Secure the doors in place by tightening the hardware set screws.



CONTACT AN ALECO REPRESENTATIVE FOR FURTHER ASSISTANCE

2720 E. Avalon Ave. Muscle Shoals, AL 35661 Phone (256) 248-2402 or toll free 1-800-633-3120

Fax: 1-800-750-9616 email: info@aleco.com web: www.aleco.com