

Walk-In System Installation Instructions

Diagram 1
Mount Bracket

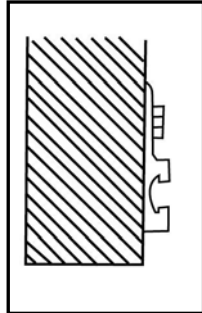


Diagram 2
Install Carriage Bolts

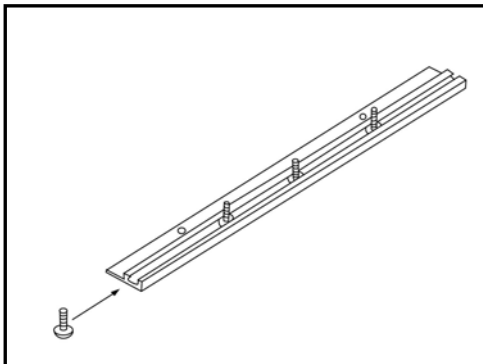
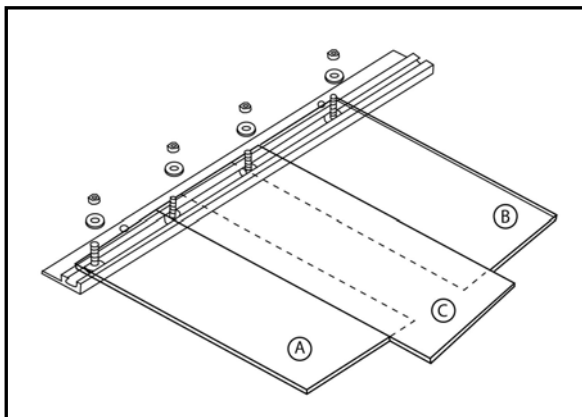


Diagram 3



TOOLS NEEDED

- Pen or Pencil to Mark Holes
- Drill
- Crescent Wrench
- Step Stool or Ladder
- Utility Knife to Cut Strips

IMPORTANT

Prior to installation, **unroll all door strips** and place them on a clean, flat surface in a warm atmosphere for a minimum of twenty-four (24) hours. This will allow the strips to return to their original form.

1. Mount pre-drilled Walk-In Mount to wall above door. Use fasteners supplied by others for mounting (Diagram 1).
2. Next, slide all the 3/8" carriage bolts down the slot of aluminum mounting hardware (Diagram 2).
3. Starting at the left, place the first clear inside strip (A) on the first two bolts keeping in mind the concave pattern in Diagram 4 below. Place the second inside strip (B) on the third and fourth bolts and continue down the entire length accordingly (Diagram 3).
4. Again starting at the left and using the concave pattern, place the first outside strip (C) on the second and third bolts. The next outside strip will fit on the fourth and fifth bolts. Continue this down the entire length accordingly (Diagram 3).
5. Place all washers and bolts onto screws and tighten finger tight (Diagram 3).
6. The first strip on left is to be flush with the edge of the aluminum hardware. Starting at this point with the nut, tighten securely with tool. Next, take second nut in hand and pull to the right to secure the strip flat against the aluminum hardware. Tighten second nut with tool. Continue this pattern until all strips are flat and smooth and all bolts are securely tight.
7. The strips should be initially trimmed to give a minimum of 1/4" clearance using a utility knife. **The door strips need to hang for 24 to 28 hours before the final trim to allow for proper alignment.**

Diagram 4

