



Clear-Valu® ImpacDor® Installation Instructions

Diagram 1
Hinge Bracket

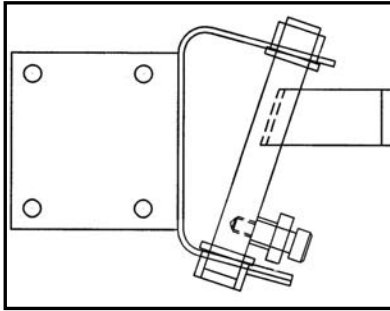
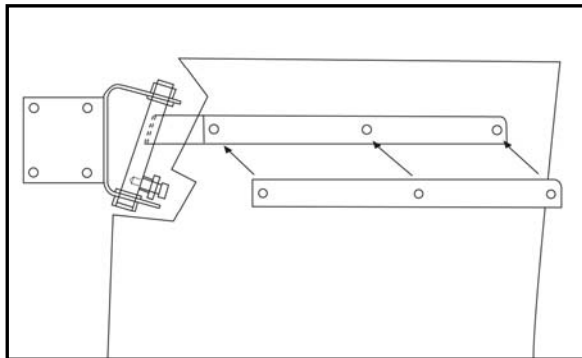


Diagram 2
Attaching Door Panels



TOOLS NEEDED

- Pen or Pencil to Mark Holes
 - Drill
 - Step Stool or Ladder
 - Utility Knife to Cut Strips
-

1. Center hinge bracket $\frac{3}{4}$ " from top of opening.
2. Using hinge bracket as a template (Diagram 1), mark the mounting holes and drill accordingly for the type of fasteners (not supplied) to be used. Make sure that the hinge bracket is plumb, square and that the offset arm assembly is level and horizontal to the floor. Shim as needed. Even though the hinge brackets are designed for bolts, the arm assemblies may be permanently welded to your doorframe.
3. Repeat steps 1 and 2 for the remaining offset arm assembly.
4. Attach clear PVC door panels to the offset arm assemblies by sandwiching the door panel between the arm plate and offset arm assembly using the $\frac{9}{32}$ " x $\frac{3}{4}$ " bolts and nuts provided in the hardware pack (Diagram 2). Tighten securely.
5. Your PVC panels may be trimmed if necessary by using a straight edge and a utility knife.