

Diagram 1
Bar Placement

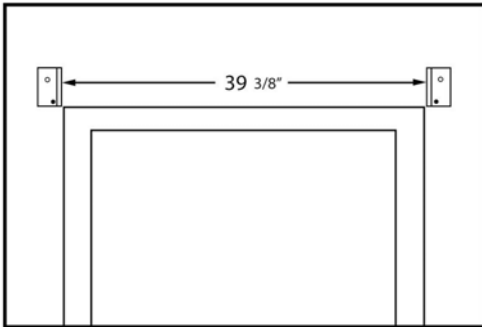


Diagram 2
Attach Bar

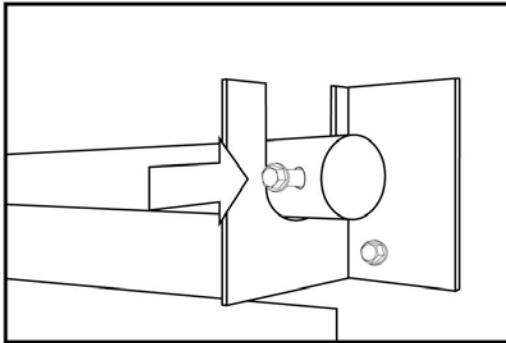
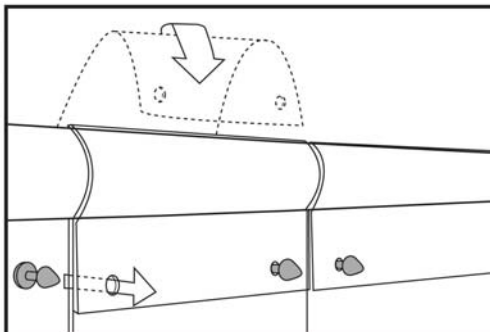


Diagram 3
Attach Strips



TOOLS NEEDED

- Ratchet or Wrench
- Drill
- Step Stool or Ladder
- Utility Knife to Cut Strips

1. Center and attach left and right mounting brackets with 1/4" lag screws on the inside wall of walk-in above door opening 39 3/8" apart on a level line. Attach lag screw in bottom hole only on each bracket (Diagram 1).
2. Place mounting bar in brackets and install 1/4" lag screw through both the mounting bar and bracket on both sides and tighten all screws (Diagram 2).
3. Attach strips by folding strip over bar from behind and pushing HTP Bullet (shaded gray) through holes (Diagram 3).
4. Once all of the door strips have been attached, the strips can be trimmed to leave 1/4" of clearance from the floor surface. Your PVC door strips may be trimmed by using a common utility knife to score and then be torn by hand.

Parts List

- (1) Left Mounting Bracket
- (1) Right Mounting Bracket
- (1) Mounting Bar
- (4) 1/4" Lag Screws
- (9) 6" x .060 Clear Flex® II Strips
or
- (6) 8" x .080 Clear Flex® II Strips