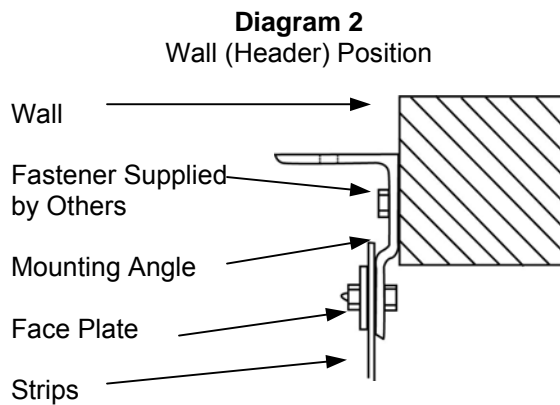
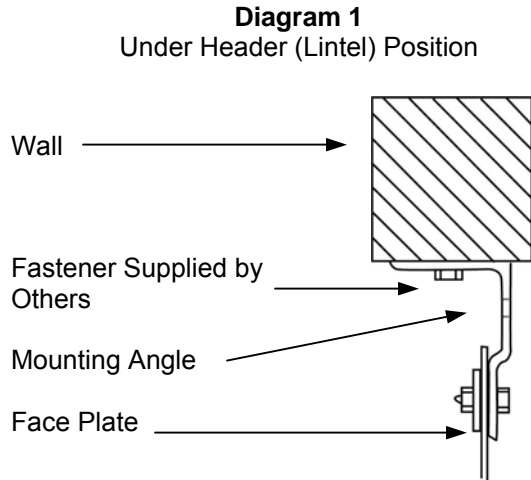


Clear-Flex II[®] Strip Door Installation Instructions Using Universal Mounting Hardware



TOOLS NEEDED

- Pen or Pencil to Mark Drill Holes
- Drill
- 5/16" Diameter Fasteners
- Step Stool or Ladder
- Utility Knife to Cut Strips

IMPORTANT

Prior to installation, **unroll all door strips** and place them on a clean, flat surface in a warm atmosphere for a minimum of twenty-four (24) hours. This will allow the strips to return to their original form.

1. Mount the pre-drilled angle bracket in either the under header or wall position shown in Diagrams 1 and 2 using appropriate fasteners supplied by others (recommended 5/16" diameter).
2. Place bolts in designated holes in angle, referring to Bolt Placement Guide on next page.
3. Attach strips to bolts in angle, making sure that the concave sides are facing each other (Diagram 3), starting and ending with orange strips, securing with the 1 foot sections of pre-drilled face plates.
4. Once all of the door strips have been attached, the strips can be trimmed to leave 1/4" of clearance from the floor surface. Your PVC door strips may be trimmed by using a common utility knife to score and then be torn by hand. **The door strips need to hang for 24 to 48 hours before final trim to allow for proper alignment.**

MODIFICATION OF UNITS

1. Measure width and determine size of opening if smaller than standard unit.
2. Lay out pre-drilled mounting angles, measure exact length required, cut excess out of the shortest length.
3. Follow installation instructions for mounting position desired shown in Diagrams 1 and 2
4. If you are not able to complete the recommended overlap of the last strip, you have the option of altering the overlap on the last few strips or trimming the excess to match the opening using a utility knife and a straight edge to score the material then tearing off by hand.

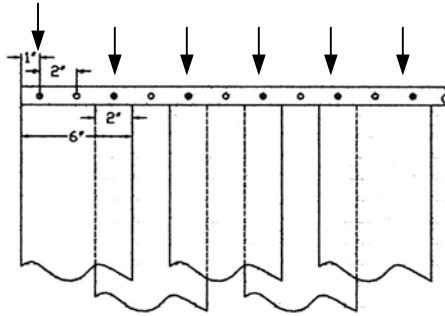
BOLT PLACEMENT GUIDE

*Arrows represent recommended placement of bolts.

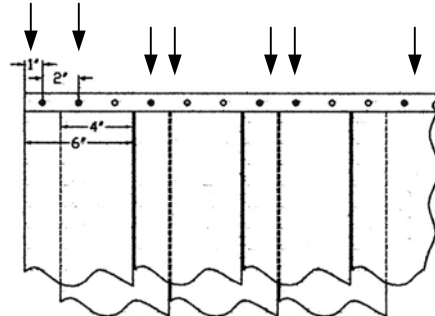
PARTIAL OVERLAP

FULL OVERLAP

6" WIDE MATERIAL

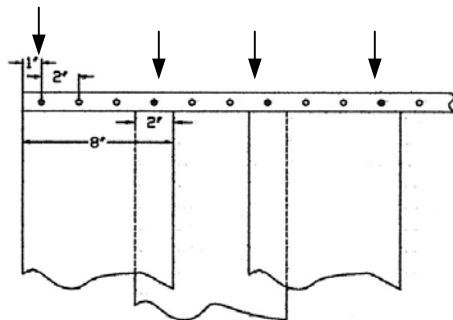


PARTIAL OVERLAP 66%

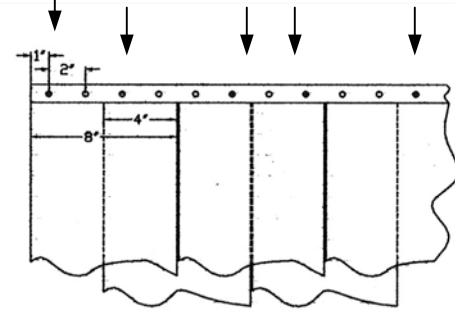


FULL OVERLAP 100%

8" WIDE MATERIAL

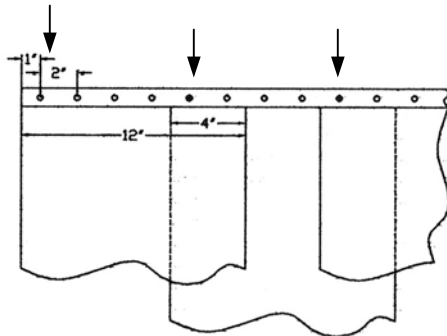


PARTIAL OVERLAP 50%

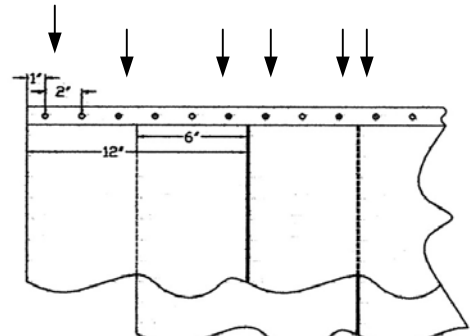


FULL OVERLAP 100%

12" WIDE MATERIAL

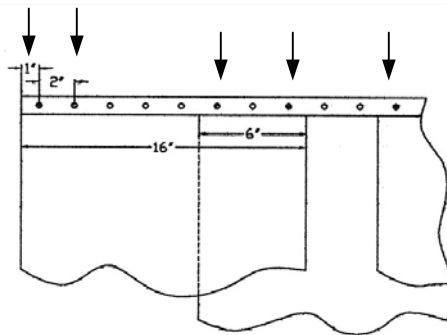


PARTIAL OVERLAP 66% (4") SHOWN
PARTIAL OVERLAP 33% (2") SHOWN

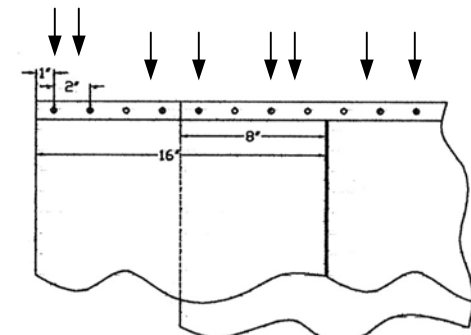


FULL OVERLAP 100%

16" WIDE MATERIAL



PARTIAL OVERLAP 75% (12")
PARTIAL OVERLAP 50% (8")
PARTIAL OVERLAP 25% (4")



FULL OVERLAP 100%

Specially formulated Vinyl Strip Cleaner available exclusively through your local Aleco distributor.